

A1 INSTALLATION DRAWING

IF THIS DOCUMENT IS PRINTED IN HARDCOPY, IT IS FOR INFORMATION USE ONLY AND THEREFORE IS NOT SUBJECT TO UPDATING CONTROLS. ALWAYS REFER TO SOLIDWORKS VIEWER FOR LATEST ISSUE



THIS DRAWING IS CONFIDENTIAL AND IS SUPPLIED ON THE EXPRESS CONDITION THAT IT SHALL NOT BE LOANED OR COPIED OR DISCLOSED TO ANY OTHER PERSON OR USED FOR ANY OTHER PURPOSE WITHOUT THE WRITTEN CONSENT OF AP RACING LTD.



AP Racing
Wheler Road
Coventry
CV3 4LB

Tel: +44 (0) 24 7663 9595
Fax: +44 (0) 24 7663 9559
e-mail: engineering@apracings.co.uk
Web site: http://www.apracings.com

© AP Racing Ltd. 2005

WEIGHT.....0.31KG (0.7LB)
FULL STROKE.....25.4 (1.0")
TRAVEL TO CUT-OFF
SHORT.....0.68 TO 1.09
(0.027" TO 0.043")
HYDRAULIC THREADS.....7/16" x 20UNF INLET
3/8" x 24UNF OUTLET
BODY MATERIAL.....ALUMINIUM ALLOY
TYPICAL APPLICATIONS.....FOR USE IN ALL CARS

GENERAL DESCRIPTION:
LIGHT WEIGHT MASTER CYLINDER FOR USE IN ALL CAR APPLICATIONS. CP2623 MASTER CYLINDER IS SUPPLIED WITH THREADED INLET TYPE 'B'. TWO DIFFERENT PUSH ON INLET ADAPTORS TYPE 'A' & 'D' ARE AVAILABLE. ALSO AVAILABLE ARE PLASTIC FLUID RESERVOIRS TYPE 'C'. INLETS 'A', 'C' & 'D' ARE SUPPLIED SEPERATELY AS KITS.
CP2623 MASTER CYLINDER IS AVAILABLE WITH THE FOLLOWING BORE SIZES 14.0mm, 15mm, 5/8", 16.8mm, 0.71, 3/4", 13/16", 7/8", 15/16" AND 1.0". PUSH RODS ARE AVAILABLE IN THE FOLLOWING LENGTHS: 115mm (4.53") AND 160mm (6.3"). NON-STANDARD LENGTHS AVAILABLE ON REQUEST.

PUSHROD TYPES:
PRT - PUSH ROD THREADED 5/16" UNF
PRM - PUSH ROD THREADED M8 x 1.25
PUSH ROD LENGTHS ARE MEASURED FROM THE MOUNTING FLANGE.

IMPORTANT NOTE:
CP2623 MASTER CYLINDER IS INDIVIDUALLY SHIMMED DURING ASSEMBLY TO MINIMISE FREE PLAY. THEREFORE PUSH RODS SHOULD NOT BE SWITCHED BETWEEN INDIVIDUAL MASTER CYLINDER ASSEMBLIES.

NON CAPTIVE PUSHRODS:
CP2623 MASTER CYLINDER IS AVAILABLE WITH NON CAPTIVE PUSHRODS. THIS ENABLES THE REMOVAL OF THE MASTER CYLINDER WITHOUT NEED TO REMOVE THE PUSHROD FROM THE BRAKE PEDAL OR BALANCE BAR ASSEMBLY. PUSH RODS ARE AVAILABLE IN LENGTHS EQUIVALENT TO THOSE SHOWN ABOVE.
PUSHROD TYPES:
NCT - NON CAPTIVE PUSHROD THREADED 5/16" UNF
NCM - NON CAPTIVE PUSHROD THREADED M8 x 1.25

NOTE:
INSTALLATION DIMENSIONS FOR 15/16" & 1.0" BORE MASTER CYLINDERS DIFFER FROM OTHER SIZES DUE TO LARGER BODY. PARTICULAR NOTE SHOULD BE TAKEN OF THE DIFFERENT DIMENSION FROM THE MOUNTING FLANGE TO THE PUSHROD.

ORDERING:
WHEN ORDERING PLEASE STATE PUSHROD TYPE AND LENGTH REQUIRED AND ADD E IF EXTRA SHORT CUT-OFF IS REQUIRED. ALSO SPECIFY WHICH TYPE OF INLET IS REQUIRED.
e.g. CP2623-90PRT115E INLET TYPE 'A'.
AP RACING TECHNICAL SECTION WILL BE PLEASED TO ADVISE ON THE MOST SUITABLE EQUIPMENT FOR ANY APPLICATION.

INLET TYPE 'A'
SELECT MASTER CYLINDER WITH INLET TYPE 'B', PLUS INLET ADAPTOR KIT PART NUMBER CP2623-30

INLET TYPE 'C'
SELECT MASTER CYLINDER WITH INLET TYPE 'B', PLUS RESERVOIR FROM PART NUMBER CHART BELOW.

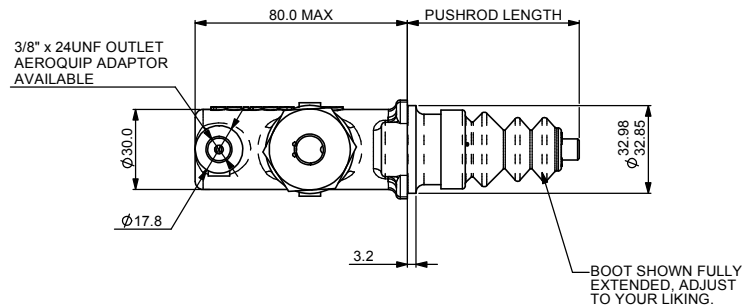
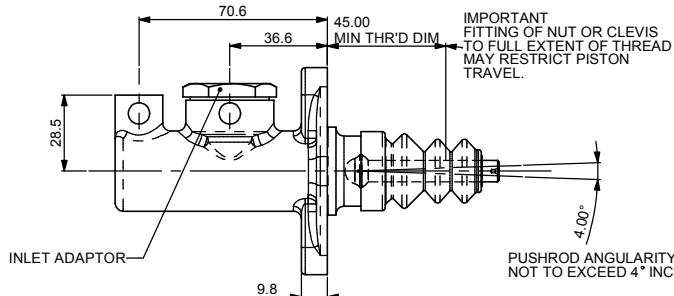
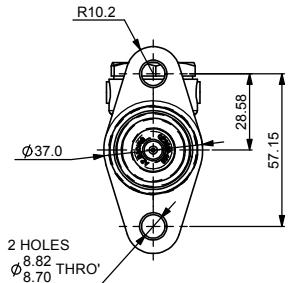
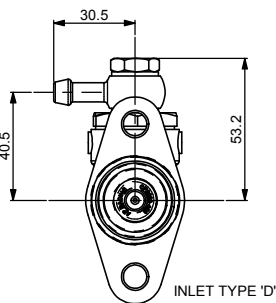
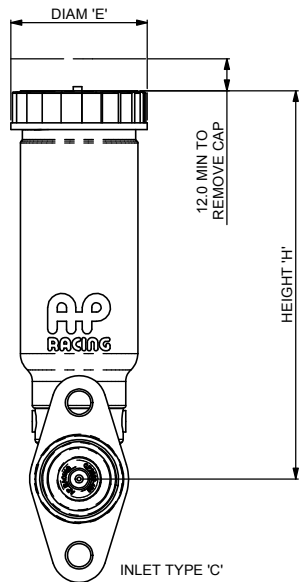
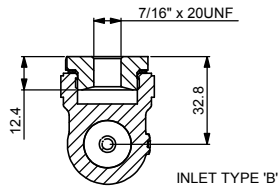
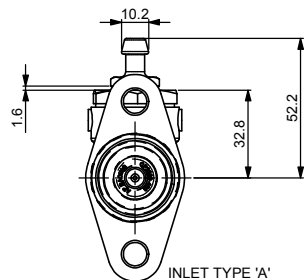
PLEASE NOTE:
TO FIT CP4709 TYPE RESERVOIRS THE INLET ADAPTOR AND COPPER GASKET ARE TO BE REMOVED. FITTING INSTRUCTIONS SUPPLIED WITH RESERVOIR.

RESERVOIR PART NUMBER	HEIGHT H mm (in)	DIAM E mm (in)	VOLUME cm ³ (in ³)
CP4709-10	196 (7.71")	51 (2.0")	183 (11.1)
CP4709-11	146 (5.75")	51 (2.0")	123 (7.5)
CP4709-12	106 (4.17")	51 (2.0")	75 (4.5)
CP2293-163	169 (6.65")	89 (3.5")	340 (20.7)

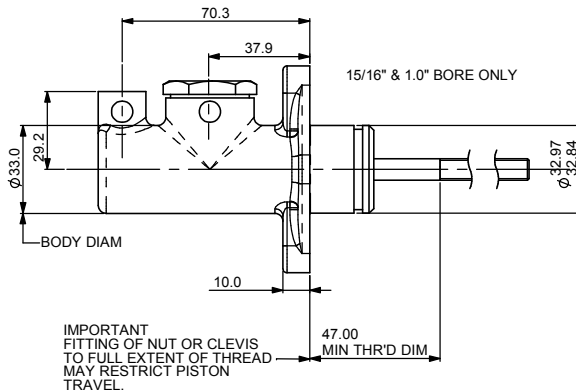
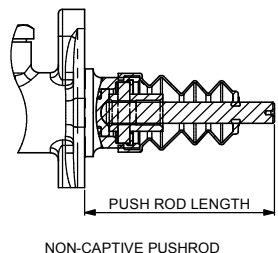
OTHER RESERVOIR OPTIONS AVAILABLE. SEE AP RACING HYDRAULIC ACTUATION CATALOGUE

INLET TYPE 'B'	
PART NUMBER	BORE SIZE
CP2623-88	Ø14.0
CP2623-89	Ø15.0
CP2623-90	Ø15.9 (5/8")
CP2623-905	Ø16.8
CP2623-91	Ø17.8 (0.7")
CP2623-92	Ø19.1 (3/4")
CP2623-93	Ø20.6 (13/16")
CP2623-94	Ø22.2 (7/8")
CP2623-95	Ø23.8 (15/16")
CP2623-96	Ø25.4 (1.0")

INLET TYPE 'D'
SELECT MASTER CYLINDER WITH INLET TYPE 'B', PLUS INLET ADAPTOR KIT PART NUMBER CP2623-41



NOTE:
PUSHROD EXTENSIONS THAT GIVE A TOTAL LENGTH OF OVER 200mm ARE NOT RECOMMENDED. IT IS THE CUSTOMERS RESPONSIBILITY TO CHECK SUITABILITY OF PUSHROD AND EXTENTION PIECES TO TAKE APPLIED LOADS.



Issue No.	Alterations		
	Date & No.	Particulars	Zone
15	14/08/2002 RAC10714	REDRAWN ON SOLIDWORKS	# FM
16	17/10/02 B3471	MIN THR'D DIM'S ADDED IMPORTANT NOTE ALSO ADDED	12K SAT
17	25/02/03 B3438	NOTES AND CHART MODIFIED TO INCLUDE NEW Ø16.8mm BORE. RESERVOIR NUMBERS IN CHART CORRECTED. 57.15 WAS 57.2 28.58 WAS 28.6 52.2 AND 32.8 DIMMS ADDED TO INLET TYPE 'A'	J9 J9 L6 L5
18	17/03/04 B3430	PUSHROD EXTENTION NOTE ADDED	7E SAT
19	27/06/06	UPDATED TO SHOW NEW BOOTS.	7E CDA
20	02/01/08 B5064	INLET TYPE C RESERVOIRS MODIFIED TO MODERN CP4709 TYPE. WAS CP2709 TYPE. HEIGHT DATA CHANGED TO COMMON DATUM (Q) AS PER OTHER INLET TYPES	DRA J
21	01/05/09 B5575	REFERENCE TO EXTRA SHORT CUT OFF REMOVED	DRA

SCALE 1:1	SHEET 1 OF 1
DRAWN	FRAZER MACKAY
APPROVED	
DERIVED FROM	
TITLE	EXTRA SHORT MASTER CYLINDER
DRG NO.	CP2623-1CD